



H A Harman International Company

# CS 1

## Conference System

### Description

The AKG Model CS 1 is an extremely flexible and sophisticated gating-type conference system for accommodating large numbers of participants. Its various modes of operation provide for flexibility and discussion continuity during the most complex formal and political meetings.

A single CS BU 1 base unit will handle 100 user microphone units in four series-wired groups of 25 units each. One or more Model CS EU 1 extension units may be used, each providing an additional capability of 100 user microphone units. The base unit offers the following control functions:

1. Input level controls: active microphones, line, and auxiliary. The line input can accommodate additional signal inputs, such as wireless microphones; the auxiliary input accommodates an external stereo audio source.
2. NOM (number of microphones) setting; determines the maximum number of microphones that may be open at one time; useful in maintaining orderly discussions. Up to five simultaneous microphones inputs may be on at a given time.
3. Loudspeaker level control. Sets level of output signal which is fed back to the nearfield loudspeakers located in each individual user station.
4. Line output control. Sets level sent to local sound reinforcement facilities.
5. Recording output. Determines the level of the stereo output signal intended for recording program proceedings.

The CS DU “delegate” user station provides management via self-contained DIP-switches over the following functions:

1. Microphone sensitivity adjustment (high or low)
2. Automatic muting after long pauses (on or off)
3. Muting time setting (long or short)
4. NOM, on or off (allows distinguished participants to speak, even when NOM limit has been reached)
5. Voice/pushbutton activation (allows distinguished participants to speak without using pushbutton); when a user station is activated, its internal loudspeaker is muted in order to avoid feedback.

The CS CU “chairman” user station is designated for chairman and sub-chairmen use and has an additional priority control that will mute all lower priority stations when engaged. Through the use of dual-level priority action, both chairman and sub-chairmen levels of control may be accommodated. This is considered a valuable feature in political discussions, where there may be multiple levels of authority on the discussion floor.

On all user stations a bright red LED ring just below the microphone capsule lights up when that microphone is actuated.

Figure 1 shows a typical setup using a single base unit, and Figure 2 shows as typical setup using a single base unit plus an expansion unit.



### Features

- Multiple levels of priority gating
- Simplified series-wiring for easy setup and minimum clutter
- Near-field loudspeaker included in all user modules
- Base control unit provides for 100 microphone inputs; expansion units each provide 100 additional inputs
- Uses AKG's small format high performance CK-series microphone capsules mounted on short double gooseneck extensions
- Base control unit inputs: additional (wireless) microphones and stereo program source
- Base control unit outputs: stereo recording and public address feeds

Figure 1

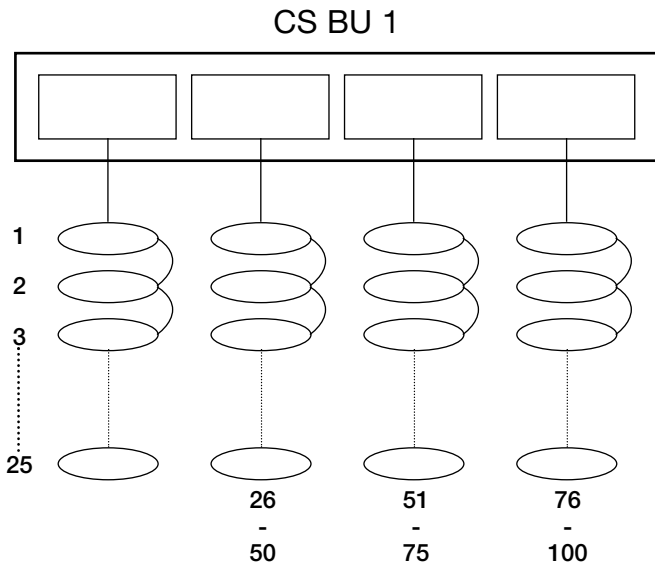
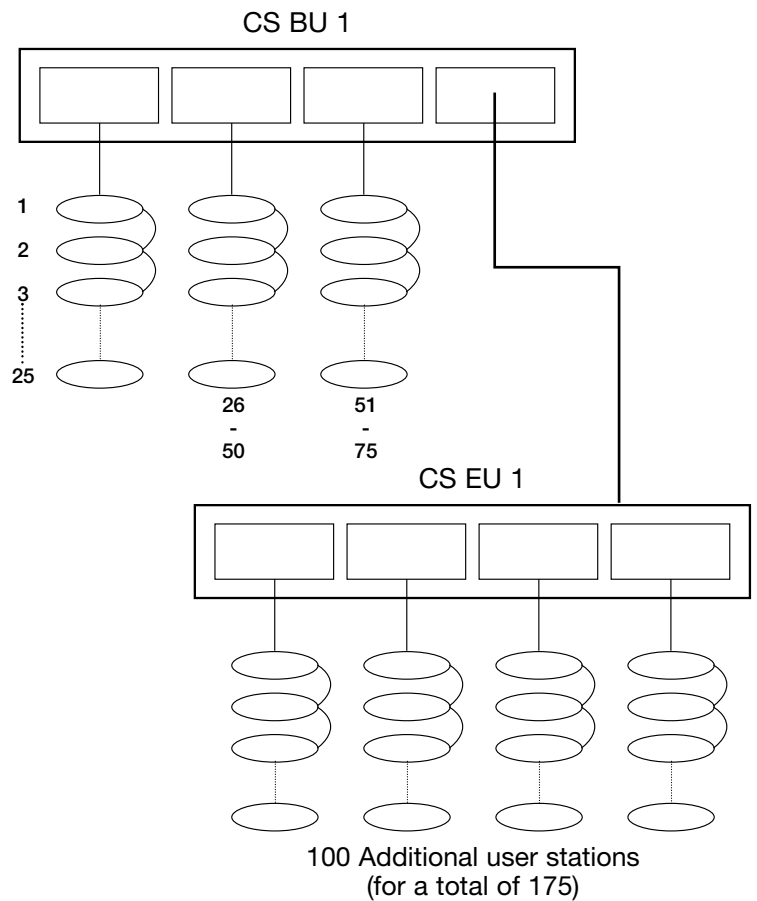


Figure 2



## Specifications:

### CS BU 1 Base Unit:

Frequency response: 20–20,000 Hz

Signal-to-noise ratio: > 70 dB

#### Audio Inputs

Discussion (Summed): +16 dB

Line: -10 to +6 dB

Tape: -20 to +6 dB

#### Audio Outputs

User station loudspeakers: 0 db

Record output: -20 to +6 dB

#### Connectors

User station/extension socket: 4 x 12-pin male

Audio Inputs: XLR 3-pin female

Audio Outputs: XLR 3-pin male

Tape output: RCA jacks

#### General

Power Requirement: 115–230 V/50–60 Hz

Power Consumption: 250 VA

Width: 17.7 in. (450 mm)

Depth: 9.8 in. (250 mm)

Height: 1.7 in. (44 mm)

Weight: approx. 11 lbs. (5 kg)

### CS1 Components:

CS BU 1	Base unit for up to 100 microphone stations
CS EU 1	Extension unit for additional 100 microphones
CS CU 31	Chairman user station with CK 31
CS DU 31	Delegate user station with CK 31
CS CU	Chairman user station without microphone
CS DU	Delegate user station without microphone

### CS CU/CS DU User Stations:

#### Pre-Amplifier

Frequency Response: 20–15,000 Hz

THD: < 0.1%

Signal-to-noise ratio: > 106 dB

#### Microphone (CK 31)

Sensitivity: 20 mV/Pa 34 dBV

Polar Pattern: cardioid

Frequency Response: 100–18,000 Hz

Signal-to-noise ratio: > 97 dB

#### Current Consumption

Standby: 30 mA

Operating: 70 mA

Power Requirement: 22 to 36 V DC

### Optional Accessories:

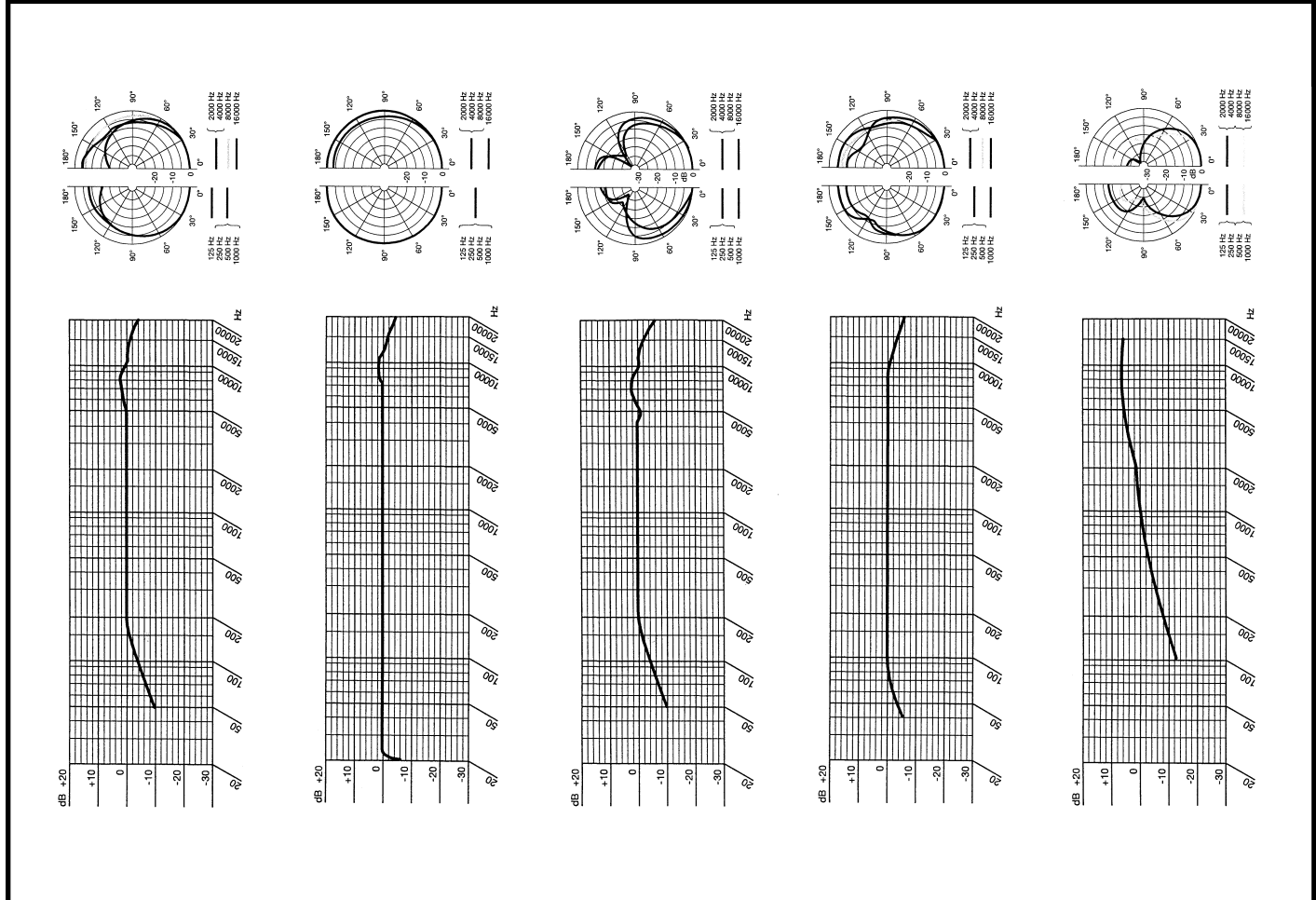
CS RMU 1	Rack ears for CS BU 1
CK 31	Cardioid microphone capsule
CK 32	Omnidirectional microphone capsule
CK 33	Hypercardioid microphone capsule
CK 47	Studio quality hypercardioid microphone capsule
CK 80	Hypercardioid microphone capsule with speech optimized frequency response
W 30	Windscreen for CK 31, CK 32, and CK 33
W 70	Windscreen for CK 47
W 80	Windscreen for CK 80

# Architects and Engineers Specifications

The conference system shall provide a maximum of 400 user microphone stations, each with its own nearfield loudspeaker which mutes when that microphone is actuated. Each station shall provide the following functions: microphone sensitivity adjustment, switchable pushbutton or voice-actuated operation, and adjustable muting time in the voice-actuated mode. There shall be a separate microphone station intended for chairman and sub-chairmen use which contains, in addition to the foregoing functions, a priority switch which mutes all stations of lower priority. There shall be at least four levels of priority selection.

The base control unit shall have inputs for external line level stereo program as well as for additional microphone sources. The base control unit shall have line level outputs for stereo recording and for direct feed to local public address facilities. The base unit shall have an effective signal-to-noise ratio no less than 70 dB under all operating conditions. System distortion shall be no greater than 0.1% THD under normal operating conditions. The conference system shall be the AKG Acoustics Model CS 1.

## Graphical Data



AKG is constantly improving and modifying its products, therefore, specifications are subject to change without notice.

### Limited Warranty

Valid only in the United States. AKG Acoustics warrants AKG products against defects in material or workmanship for a period of two years from the date of original purchase for use, and agrees to repair or, at our option, replace any defective unit without charge for either parts or labor. Important: This warranty does not cover damage resulting from accident, misuse or abuse, lack of reasonable care, the affixing of any attachment not provided with the product, loss of parts or connecting the product to any but the specified receptacles. This warranty is void unless service or repairs are performed by an authorized service center. No responsibility is assumed for any special, incidental

or consequential damages. However, the limitation of any right or remedy shall not be effective where such is prohibited or restricted by law. Simply take or ship your AKG product prepaid to our service department. Be sure to include your sales slip as proof of purchase date. (We will not repair transit damage under the no-charge terms of this warranty.) Note: No other warranty, written or oral is authorized by AKG Acoustics, Inc. This warranty gives you specific legal rights, and you may also have other rights which vary from state to state. Some states do not allow the exclusion or limitation of incidental or consequential damages or limitation on how long an implied warranty lasts, so the above exclusions and limitation may not apply to you.

**Microphones · Headphones · Wireless Microphones · Wireless Headphones · Headsets · Electroacoustical Components**



**AKG Acoustics GmbH**  
Lemböckgasse 21-25, P.O.B. 158, A-1230  
Vienna/AUSTRIA  
Tel: (43 1) 86 654-0\*, Fax: (43 1) 86 654-516  
Internet: <http://www.akg.com>

**AKG Acoustics;** A Division of Harman Pro Germany  
Bodenseestraße 228, D-81243 München/GERMANY  
Tel: (089) 87 16-0, Fax: (089) 87 16-200

**Arbiter Pro Audio**  
Wilberforce Road, London NW9 6AX/ENGLAND  
Tel: (0181) 202 1199, Fax: (0181) 202 7076

**AKG ACOUSTICS, U.S.**  
914 Airpark Center Drive  
Nashville, TN 37217, U.S.A.  
Tel: (615) 620-3800, Fax: (615) 620-3875

**Studer Japan Ltd.**  
2-43-7, Uehara, Shibuya-ku, Tokyo 151-0064/JAPAN  
Tel: (813) 3465-2211, Fax: (813) 3465-2214

**Erikson Pro Audio**  
620 McCaffrey, St-Laurent, Quebec, H4T 1N1, CANADA  
Tel: (514) 738-3000, Fax: (514) 737-5069  
Internet: [www.jam-ind.com/eriksonpro](http://www.jam-ind.com/eriksonpro)